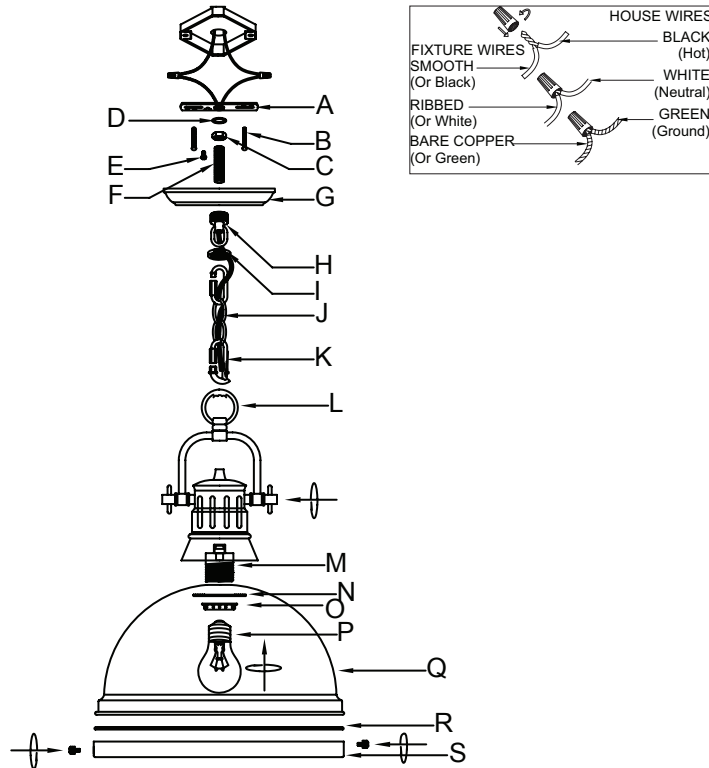


Assembly Instructions: 3602-L (Duncan)

IMPORTANT:

- ALL INSTALLATION WORK SHOULD BE DONE BY ACCREDITED PROFESSIONAL.
- SHUT OFF POWER SUPPLY AT FUSE OR CIRCUIT BREAKER!
- USE ONLY THE SPECIFIED BULBS. DO NOT EXCEED THE MAXIMUM WATTAGE!

For Customer Service, contact the place of purchase to arrange for replacement parts.



ASSEMBLING THE FIXTURE

By measuring, determine the correct length of chain needed for proper hanging height. If necessary, use a pair of pliers to open and remove any excess chain. Attach one of chain connectors (K) to chain (J). Pass the fixture wires through top loop (L). Pull the wires until taut. Feed the fixture wires up through the chain (every three links or so), pulling the wires until taut. Use the free chain connector (K) to attach chain (J) to canopy loop (H). Slide canopy loop collar (H) and canopy (G) down onto the chain/wires. Pull the wires until taut. Trim the wires to the desired length plus 8 to 10 inches.

CONNECTING THE WIRES

Have an assistant support the fixture weight while completing the wiring. Cut away excess wire. Thread the fixture wires through canopy loop (H) and canopy (G). Attach the fixture's wires to the power supply wires from the junction box. Connect black to black (or smooth); white to white (or ribbed); ground to ground (green or copper). Twist the ends of the wire pairs together, then twist on a wire connector. Make sure all twists are in the same direction. If there is no ground wire (green or copper) from the junction box, locate ground screw (E) on mounting strap (A) and wrap the fixture ground wire around the green ground screw (E). Use a screwdriver to secure ground screw (E) onto the mounting bracket. Tuck all wires neatly into the junction box.

FINISHING THE INSTALLATION

Push canopy (G) up to the ceiling and slide canopy loop collar (H) up beneath the canopy. Tightly thread canopy loop collar (H) onto canopy loop (J) to secure canopy (G) in place.

Slide the shade (Q) over socket (M) and secure in place with socket washer (N) and socket ring (O).

Install light bulb (P) (not included) in accordance with the fixture's specifications. Do not exceed the maximum recommended wattage.

Place diffuser (R) and cover (S) up beneath the bottom of shade (Q). Secure the diffuser and cover in place by tightening the provided screws. **Please note: Diffuser (R) and cover (S) are packed beneath Shade (Q) in the box.**

Your installation is now complete. Turn on the power and test the fixture.

PREPARING FOR INSTALLATION

Carefully remove all of the contents from the carton. See the important notes above. Shut off the power at the circuit breaker and completely remove the old fixture from the wall, including the old mounting strap.

From the parts bag remove the mounting strap assembly. One end of nipple (F) should be attached to mounting strap (A) with washer and hex nuts (C, D) in place. The other end should have canopy loop (H) attached.

Attach mounting strap (A) to the junction box using mounting screws (B) and a screwdriver. Tighten securely. Unscrew canopy loop collar (H) from canopy loop (J). Pass canopy (G) over the mounted canopy loop to test the height. Approximately half of the canopy loop's exterior threads should be exposed, and the canopy loop collar should fit snugly onto the canopy loop. Remove canopy (G) and adjust the height of nipple (F) and canopy loop (H) until the desired height is reached.

CLEANING TIPS

Treat the fixture gently! Regular cleaning will reduce the need for deep cleaning. For regular cleaning, turn off the light and wipe down the fixture with a clean lint-free cotton or microfiber cloth. Never spray cleaner directly onto the fixture.