


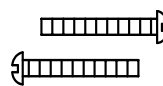
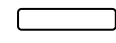

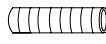
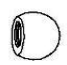
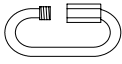

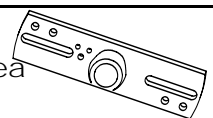

PARTS & ASSEMBLY SHEET

Fixture Name: **Torbellino 8106-10 CDB**

This fixture assembled PO: _____ Date: _____

Notice: Please review the parts listing and check for all parts before assembling the fixture. If any parts are missing or damaged, please note on this sheet and contact the place of purchase to arrange for replacement parts.

PARTS LIST Company Name: _____ Co. Account #: _____
to be filled out by retailer

Canopy	 1ea	Mounting Screws	 2ea	Cap	 1ea
Chain	 2ea 10ft	Nipple	 1ea	Deco Nut	 1ea
Chain connector	 4ea	Wire connectors	 2ea		
Mounting Strap	 1ea	Hex Nut	 1ea		

Part Needed	_____	Quantity	_____
Part Needed	_____	Quantity	_____
Reason why	(missing, scratched, broken glass, bent, bad finish)		
Comments	_____		

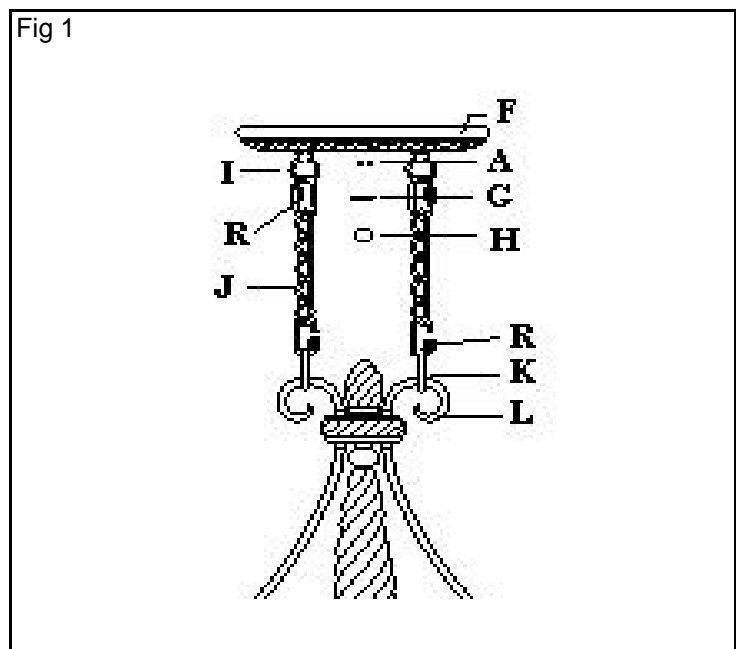
FIXTURE ASSEMBLY INSTRUCTIONS

Read and review installation instruction sheet before assembling the fixture.

1. By measuring determine correct number of links needed for proper hanging height. Use a pair of pliers to open one link of the Chain (J) then remove the excess chain (J) and discard it.
2. Use Chain connector (R) to attach the Top loop (K) to one end of chain (J) and close the connector as shown. (disregard if the Top loop is already attached to one end of chain)
3. Attach a Chain connector (R) to the top end of the Chain (J). Repeat steps 1 thru 3 for the second chain.

NOTE: INSTALL THE GLASS ASSEMBLY AFTER THE FIXTURE IS HUNG.

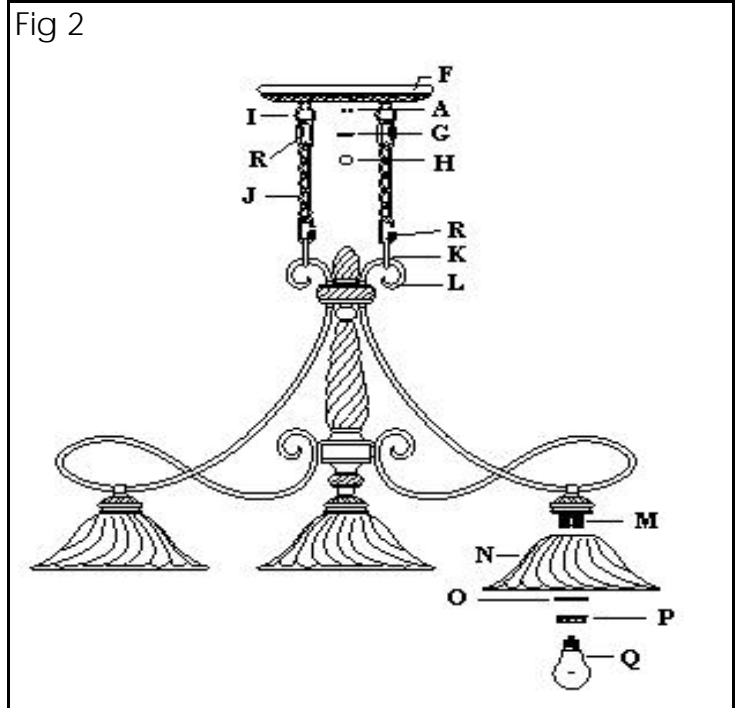
8106-10 CDB



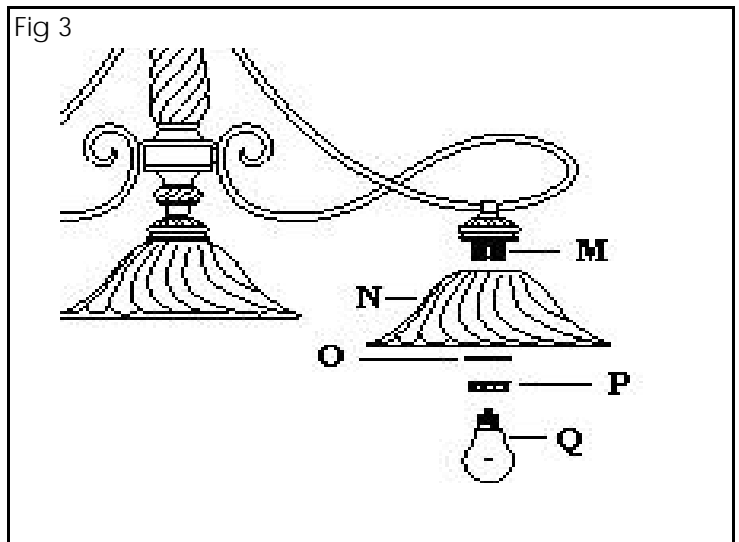
PARTS & ASSEMBLY SHEET

Fixture Name: Torbellino 8106-10 CDB

4. Slip the Top Loop (K) over top curve of the fixture Frame (L). Lace the fixture's wire through the Top loop (K) and the chain links (J) (every three links) and pull until taut.
5. Use Chain connector (R) to attach the top of Chain (J) to the Canopy loop (I) and close the chain connector as shown.
6. Make sure the weight of the chandelier is supported by the chain-not the electrical wire.
* You may now install the fixture.



- Note: Complete these remaining steps after the fixture is hung.
7. Place the Glass Shade (N) over the Threaded Socket (M), place the Socket washer (O) over the threaded socket (M) then secure the Glass Shade (N) by threading by the Socket Ring (P) until tight.
 8. Install the light bulbs in accordance with the fixture's specifications.
(DO NOT EXCEED THE MAXIMUM WATTAGE RATING)



For Customer Service, contact the place of purchase to arrange for replacement parts.

WARNING! SHUT OFF POWER AT FUSE OR CIRCUIT BREAKER.

HANGING THE FIXTURE (Fig.1)

1. Carefully remove the new fixture from the carton and the yellow bag that holds all parts. Check that all parts are included as shown in the illustration and parts list.
2. Shut off the power at the circuit breaker and remove old fixture from ceiling, including the old mounting strap.
3. Thread the Nipple (D) into the Mounting Strap (C). Place Lock Washer (B) over end of Nipple (D) protruding through Mounting Strap (C) and thread Hex Nuts (A) onto Nipple until tight.
4. The Mounting Strap (C) contains several pairs of threaded holes, find the pair of holes that match the holes spacing in your fixture Canopy (F) and thread the two Mounting Screws (E) half way into the Mounting Strap (C).
5. Place the Mounting Strap (C) over the Junction Box so the Mounting Screws (E) are vertical or horizontal, as required by fixture type and fasten using the two mounting screws (B). Tighten the screws (B) securely with screw driver.
6. Assemble the fixture and have an assistant or secure support hold the weight of the fixture while you complete the wiring connections.
7. Thread the fixture wires and ground wire of the assembled fixture through the canopy loop and into the outlet box.

CONNECTING THE WIRES (Fig 2)

8. Attach the power supply wires to the fixture lead wires by connecting BLACK to BLACK (or SMOOTH) and WHITE to WHITE (or RIBBED).
 9. Attach the GROUND wire (GREEN or COPPER) from the Junction Box and the fixture Ground wire to the green Ground Screw on the Mounting Bracket (C) or connect both wires together using the correct size of wire connectors.
- NOTE:** Twist the wires together in the same direction you twist the wire connector onto the wires.
10. Tuck these wire connections neatly into the Junction Box.

FINISHING THE INSTALLATION (Fig.3)

11. Place the fixture canopy (F), over the threaded rod (D), so it protrudes through the hole in the Canopy (J). Thread the Cap (G) and Deco Nut (H) onto the threaded rod and continue turning until the Canopy (F) is snug against the ceiling.
 12. Install the light bulbs and glass shade as per the fixture assembly sheet.
- YOUR INSTALLATION IS NOW COMPLETE. RETURN POWER TO THE JUNCTION BOX AND TEST THE FIXTURE.

Fig. 1

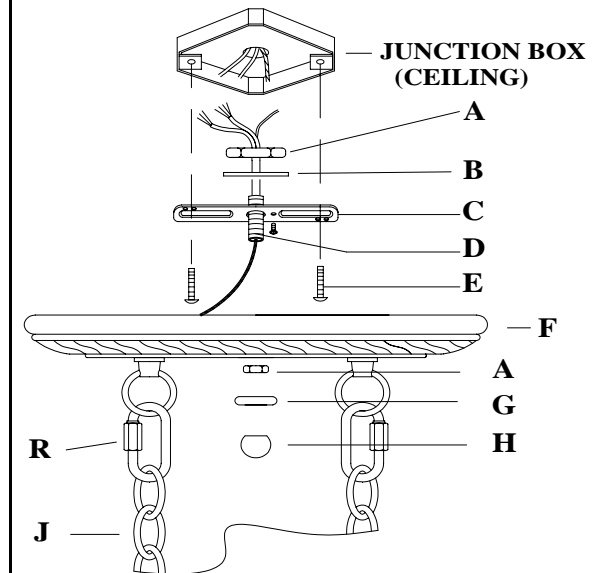


Fig. 2

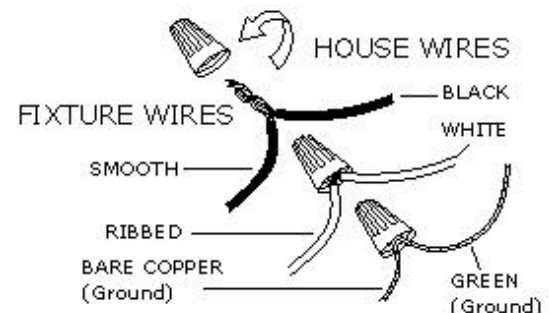
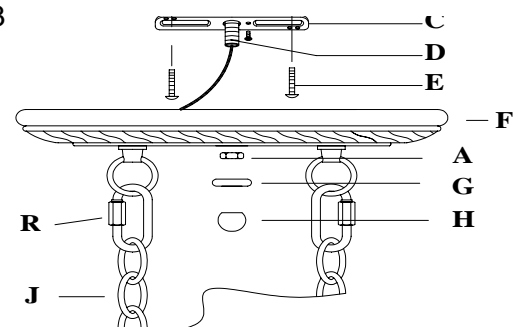


Fig. 3



PARTS & ASSEMBLY SHEET

Fixture Name:

Torbellino 8106-10 CDB

4. Slip the Top Loop (K) over top curve of the fixture Frame (L). Lace the fixture's wire through the Top loop (K) and the chain links (J) (every three links) and pull until taut.

5. Use Chain connector (R) to attach the top of Chain (J) to the Canopy loop (I) and close the chain connector as shown.

6. Make sure the weight of the chandelier is supported by the chain-not the electrical wire.

* You may now install the fixture.

Note: Complete these remaining steps after the fixture is hung.

7. Place the Glass Shade (N) over the Threaded Socket (M), place the Socket washer (O) over the threaded socket (M) then secure the Glass Shade (N) by threading by the Socket Ring (P) until tight.

8. Install the light bulbs in accordance with the fixture's specifications.

(DO NOT EXCEED THE MAXIMUM WATTAGE RATING)

NOTE: Because the components are all hand-made, The factory has adjusted and ensured the product is leveled; Please make minor adjustments to glass shades before installation if necessary.

Fig 2

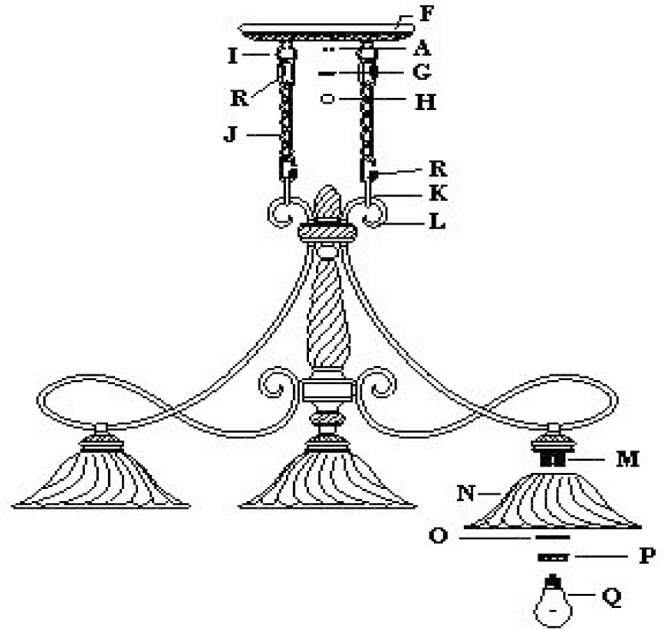
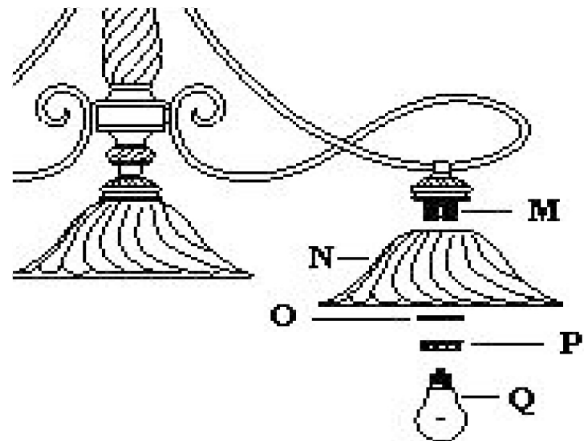


Fig 3



For Customer Service, contact the place of purchase to arrange for replacement parts.