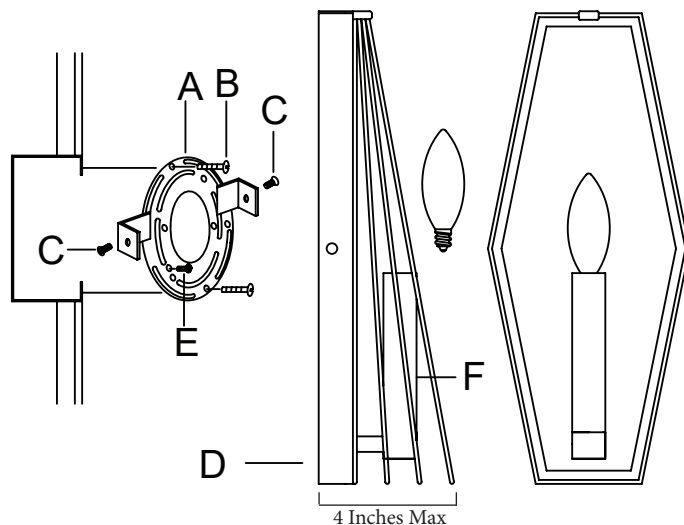


# Assembly Instructions: 2087-1W14

## IMPORTANT:

- ALL INSTALLATION WORK SHOULD BE DONE BY ACCREDITED PROFESSIONAL.
- SHUT OFF POWER SUPPLY AT FUSE OR CIRCUIT BREAKER!
- USE ONLY THE SPECIFIED BULBS. DO NOT EXCEED THE MAXIMUM WATTAGE!

For Customer Service, please contact the place of purchase.



How to Identify the Fixture's Wires		
Hot	Neutral	Ground
Smooth	Ribbed	Bare Metal, Green, or Green Inner Thread
Black	White	
Black Inner Thread	White Inner Thread	

Note: Metal frame wires have a natural flex to them. If compressed in transit, gently bend wires back into shape.

## PREPARING FOR INSTALLATION

Remove all of the contents from the carton. See the important notes above. Remove the old fixture from the wall, including the old mounting bracket.

1. Place mounting bracket (A) up against your junction box. Position the mounting bracket so that the holes on the side are level and parallel with the floor.
2. Secure mounting bracket (A) to the wall's junction box using mounting screws (B) and a screwdriver. Tighten the screws securely.
3. Pull the house wires through the center of mounting bracket (A).

## CONNECTING THE WIRES

4. Hold backplate (D) up to the junction box. Attach the fixture's wires to the house wires from the junction box by connecting Hot to Hot (black, transparent wire with black inner thread, or smooth wire), Neutral to Neutral (white, transparent wire with white inner thread, or the ribbed wire), and Ground to Ground (green, transparent wire with green inner thread, or the copper wire). Twist the ends of each wire pair together. Secure each connection with a wire connector (usually orange). Make sure all twists are in the same direction. If there is no house ground wire coming from the junction box, please locate ground screw (E) on the mounting bracket/mounting bracket (B) and wrap the fixture's ground wire around ground screw (E). Use a screwdriver to tighten the top of ground screw (E) onto the wires and into the mounting bracket/mounting bracket. Tuck the wires into the junction box.

## FINISHING THE INSTALLATION

5. Place backplate (D) over mounting bracket (A). Ensure the holes in the backplate and on the side of the mounting bracket align. Insert small screws (C) into the holes on the side of the backplate (D) to secure it to mounting bracket (A).
6. Attach candle sleeve (F) to the backplate (D).

Install a light bulb (not included) in accordance with the fixture's specifications. Do not exceed the maximum recommended wattage.

Your installation is now complete. Turn on the power and test the fixture.

## CLEANING TIPS

Treat the fixture gently! Regular cleaning will reduce the need for deep cleaning. For regular cleaning, turn off the light and wipe down the fixture with a clean lint-free cotton or microfiber cloth. Never spray cleaner directly onto the fixture.