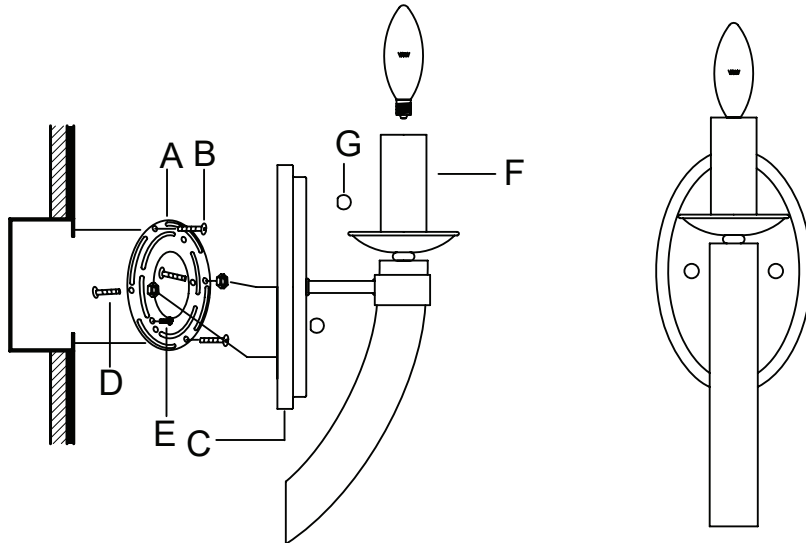


Assembly Instructions: 1821-1W

IMPORTANT:

- ALL INSTALLATION WORK SHOULD BE DONE BY ACCREDITED PROFESSIONAL.
- SHUT OFF POWER SUPPLY AT FUSE OR CIRCUIT BREAKER!
- USE ONLY THE SPECIFIED BULBS. DO NOT EXCEED THE MAXIMUM WATTAGE!

For Customer Service, please contact the place of purchase.



How to Identify the Fixture's Wires		
Hot	Neutral	Ground
Smooth	Ribbed	Bare Metal, Green, or Green Inner Thread
Black	White	
Black Inner Thread	White Inner Thread	

House Wires
Hot
Neutral
Ground

Fixture Wires
Hot
Neutral
Ground

PREPARING FOR INSTALLATION

Carefully remove the new fixture from the carton as well as the yellow bag that holds all of the parts. See the important notes above. Shut off power at the circuit breaker and remove old fixture from wall, including the old mounting strap.

1. Mounting strap (A) contains several pairs of threaded holes and two of mounting screws (B & D). You may need to tighten hex nuts that hold screws (D) in place.
2. Place mounting strap (A) up to your junction box. Place backplate (C) over the mounting strap lining up mounting screws (D) with the holes in backplate (C). This will allow you to ensure that you are hanging the fixture straight.
3. Pull the house wires through the center of mounting strap (A). Secure mounting strap (A) to the junction box with mounting screws (B) and a screwdriver. Tighten the screws securely.

CONNECTING THE WIRES

4. Attach the fixture's wires to the house wires which were pulled earlier from the junction box through the mounting strap (A). Connect black to black (transparent wire with black inner thread or smooth); white to white (transparent wire with white inner thread or ribbed); ground to ground (green, transparent wire with green inner thread, or copper). Twist the ends of the wire pairs together, and then twist onto a wire connector. Make sure all twists are in the same direction. If there is no ground wire (green or copper) coming from the junction box, locate ground screw (E) on the mounting strap and wrap the fixture's ground wire around the green ground screw (E). Use a screwdriver to secure ground screw (E) onto the mounting bracket. Tuck all wires neatly into the junction box.

FINISHING THE INSTALLATION

5. Place backplate (C) over mounting strap (A) so that mounting screws (D) protrude through the holes in backplate (C). Secure the backplate to the mounting strap with decorative nuts (G). Twist until the backplate of the fixture is snug against the wall.

Install a light bulb (not provided) into socket cover (F) in accordance with the fixture's specifications. Do not exceed maximum recommended wattage.

Your installation is now complete. Turn on the power and test the fixture.

CLEANING TIPS

Treat the fixture gently! Regular cleaning will reduce the need for deep cleaning. For regular cleaning, turn off the light and wipe down the fixture with a clean lint-free cotton or microfiber cloth. Never spray cleaner directly onto the fixture.