

Assembly Instructions: 1945-6 (Axel)

IMPORTANT:

- ALL INSTALLATION WORK SHOULD BE DONE BY ACCREDITED PROFESSIONAL.
- SHUT OFF POWER SUPPLY AT FUSE OR CIRCUIT BREAKER!
- USE ONLY THE SPECIFIED BULBS. DO NOT EXCEED THE MAXIMUM WATTAGE!

For Customer Service, please contact the place of purchase.

PREPARING FOR INSTALLATION

Remove all of the contents from the carton. See the important notes above. Shut off the power at the circuit breaker and completely remove the old fixture from the ceiling, including the old mounting strap.

1. Take the mounting strap assembly from the parts bag. Mounting strap (B) contains several threaded holes. Two sets of mounting screws (A & C) should be attached to mounting strap (B). You may need to tighten nuts (D) that hold mounting screws (A) in place. If the screws are not attached, please hold canopy (F) up to mounting strap (B). Line up the holes in canopy (F) with the holes in mounting strap (B) and insert mounting screws (A) into mounting strap (B) so that mounting screws (A) protrude through the holes in canopy (F). Mounting screws (A) are long, so please test the canopy against the mounting strap to see how far you should insert the screws. Remove the canopy and tighten nuts (D) onto mounting screws (A) to hold the screws in place. Place mounting strap (B) over the junction box and secure in place with mounting screws (C). Tighten the screws securely with a screwdriver. Pull house wires through the center of mounting strap (B).

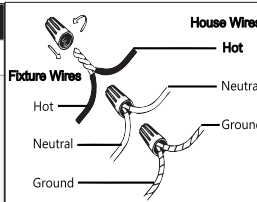
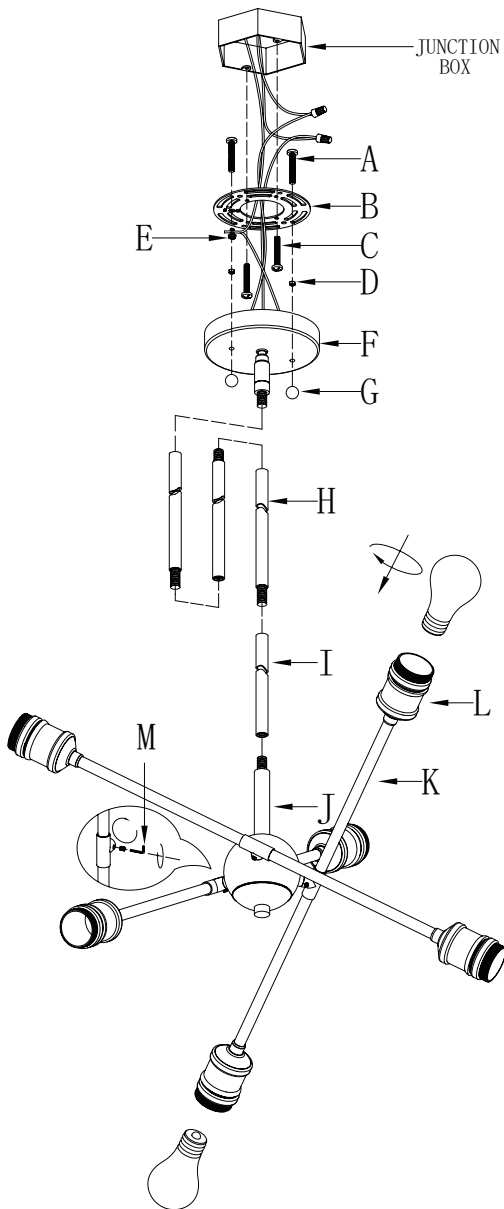
ASSEMBLING THE FIXTURE

2. Measure to determine the correct number of rods needed for proper hanging height. Slide off excess rods to shorten the fixture. To lengthen the fixture, please contact the place of purchase for additional rods. Unravel the fixture wires coming out of the distributor through rod (J). Slip rod (I) onto the fixture wires and twist onto the threads of rods until secure. Slip on the desired number of rods (H) onto the fixture wires and twist to secure rods (H) onto rods (I & J). Pull the wires until taut. Feed fixture wires through the nipple found on the bottom of canopy (F) and secure the canopy (F) to the top of the rods by twisting until tight. Trim the wires to the desired length plus 8 to 10 inches.

CONNECTING THE WIRES

3. Have an assistant support the weight of the fixture while completing the wiring. Cut away any excess wire. Attach the fixture's wires to the house wires which were pulled earlier from the junction box through the mounting strap (B). Connect black to black (transparent wire with black inner thread or smooth); white to white (transparent wire with white inner thread or ribbed); ground to ground (green, transparent wire with green inner thread, or copper). Twist the ends of the wire pairs together, and then twist on a wire connector. Make sure all twists are in the same direction. If there is no ground wire (green or copper) coming from the junction box, locate ground screw (E) on the mounting strap and wrap the fixture's ground wire around the green ground screw (E). Use a screwdriver to secure ground screw (E) onto the mounting bracket. Tuck all wires neatly into the junction box.

How to Identify the Fixture's Wires		
Hot	Neutral	Ground
Smooth	Ribbed	Bare Metal, Green, or Green Inner Thread
Black	White	
Black Inner Thread	White Inner Thread	

FINISHING THE INSTALLATION

4. Push canopy (F) up to the ceiling and so that the holes in the mounting strap (B) line up with the holes in the canopy (F) and mounting screws (A) protrude from the holes in the canopy (F). Thread the decorative nuts (G) onto the exposed threads of mounting screws (A) until canopy (F) is snug against the ceiling.

5. Adjust the angle of rods (K) using Allen key (M) at the notches depicted near the distributor. Unscrew the nut using the Allen key (M) to loosen and adjust the position of the light. Tighten nut using Allen key (M) to lock the rods (K) in place.

Install light bulbs (not included) into sockets (L) in accordance with the fixture's specifications. Do not exceed maximum recommended wattage.

Your installation is now complete. Turn on the power and test the fixture.

CLEANING TIPS

Treat the fixture gently! Regular cleaning will reduce the need for deep cleaning. For regular cleaning, turn off the light and wipe down the fixture with a clean lint-free cotton or microfiber cloth. Never spray cleaner directly onto the fixture.

