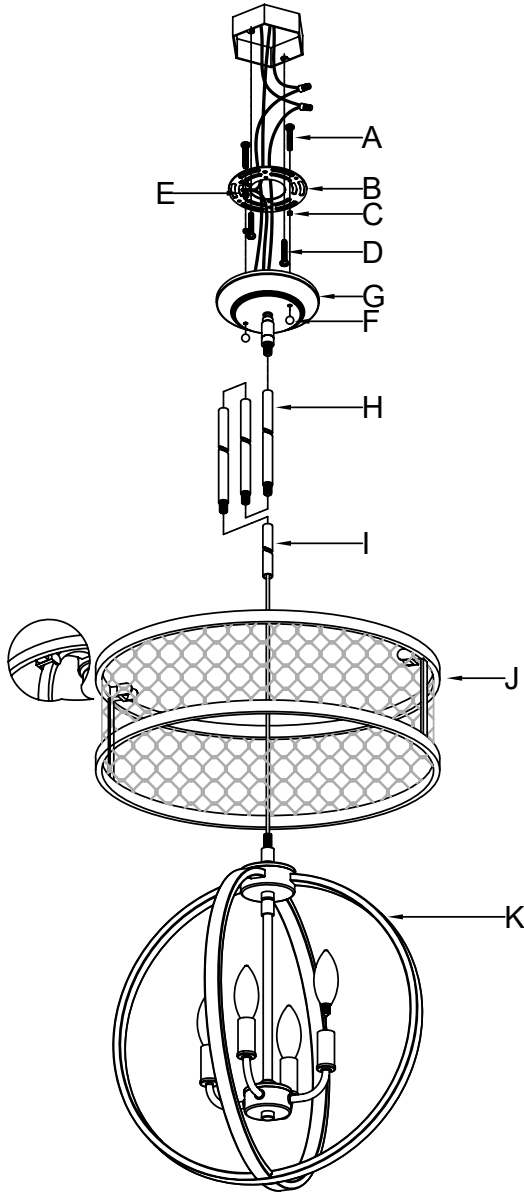


# Assembly Instructions: 3170-4P (Roost)

## IMPORTANT:

- ALL INSTALLATION WORK SHOULD BE DONE BY ACCREDITED PROFESSIONAL.
- SHUT OFF POWER SUPPLY AT FUSE OR CIRCUIT BREAKER!
- USE ONLY THE SPECIFIED BULBS. DO NOT EXCEED THE MAXIMUM WATTAGE!

For Customer Service, please contact the place of purchase.



## PREPARING FOR INSTALLATION

Remove all of the contents from the carton. See the important notes above. Shut off the power at the circuit breaker and completely remove the old fixture from the ceiling, including the old mounting strap.

1. From the parts bag remove the mounting strap assembly. Two sets of mounting screws (A & D) should be attached to mounting strap (B) with hex nut (C) holding mounting screws (A) in place.
2. Attach mounting strap (B) to the junction box using mounting screws (D) and a screwdriver. Tighten securely.
3. Test the canopy height by holding the canopy (G) against the mounting strap (B) until mounting screws (A) protrude from the holes in the canopy. Mounting screws (A) should have half of their threads exposed to secure the canopy to the mounting strap (B) using deco nuts (F). Remove the canopy (G) for now and pull house wires through the center of mounting strap (B).

## ASSEMBLING THE FIXTURE

4. Measure to determine the correct number of rods (H) needed for proper hanging height. To shorten the fixture, slide any excess rods off the fixture's wires to discard. To lengthen the fixture, add additional rods. If additional rods are needed, please contact the place you purchased your fixture to order.
5. Screw rod (I) onto the top post found on fixture body (K). Attach the desired number of rods (H) onto rod (I). Feed the fixture wires through the center of the rods and pull the wires until taut. Feed fixture wires through the nipple found on canopy (G), and pull until wires are taut. Screw rods onto nipple on canopy (G) until secure. Check that the fixture is at the desired height.

## CONNECTING THE WIRES

6. Have an assistant support the weight of the fixture while completing the wiring. Cut away excess wire. Attach the fixture's wires to the house wires which were pulled earlier from the junction box through the mounting strap (B). Connect black to black (or smooth); white to white (or ribbed); ground to ground (green or copper). Twist the ends of the wire pairs together, and then twist on a wire connector. Make sure all twists are in the same direction. If there is no ground wire (green or copper) coming from the junction box, locate ground screw (E) on the mounting strap and wrap the fixture's ground wire around the green ground screw (E). Use a screwdriver to secure ground screw (E) onto the mounting bracket. Tuck all wires neatly into the junction box.

## FINISHING THE INSTALLATION

7. Push the canopy (G) against the mounting strap until mounting screws (A) protrude from the exposed holes in the canopy. Thread deco nuts (F) onto the exposed threads of mounting screws (A). Tighten until canopy is snug against the mounting strap and ceiling.

8. Attach shade (J) onto the fixture body (K) by aligning the shade's top joints to the frame of the fixture body. Gravity will naturally hold the shade to the fixture. However, ensure the screws found at the top of the shade's top joints are tight to prevent uneven weight distribution.

Install light bulbs (not included) in accordance with the fixture's specifications. Do not exceed maximum recommended wattage.

How to Identify the Fixture's Wires		
Hot	Neutral	Ground
Smooth	Ribbed	Bare Metal, Green, or Green Inner Thread
Black	White	
Black Inner Thread	White Inner Thread	

## CLEANING TIPS

Treat the fixture gently! Regular cleaning will reduce the need for deep cleaning. For regular cleaning, turn off the light and wipe down the fixture with a clean lint-free cotton or microfiber cloth. Never spray cleaner directly onto the fixture.

