

Assembly Instructions: 7011-BA2 (Winslett)

IMPORTANT:

- ALL INSTALLATION WORK SHOULD BE DONE BY ACCREDITED PROFESSIONAL.
- SHUT OFF POWER SUPPLY AT FUSE OR CIRCUIT BREAKER!
- USE ONLY THE SPECIFIED BULBS. DO NOT EXCEED THE MAXIMUM WATTAGE!

For Customer Service, please contact the place of purchase.

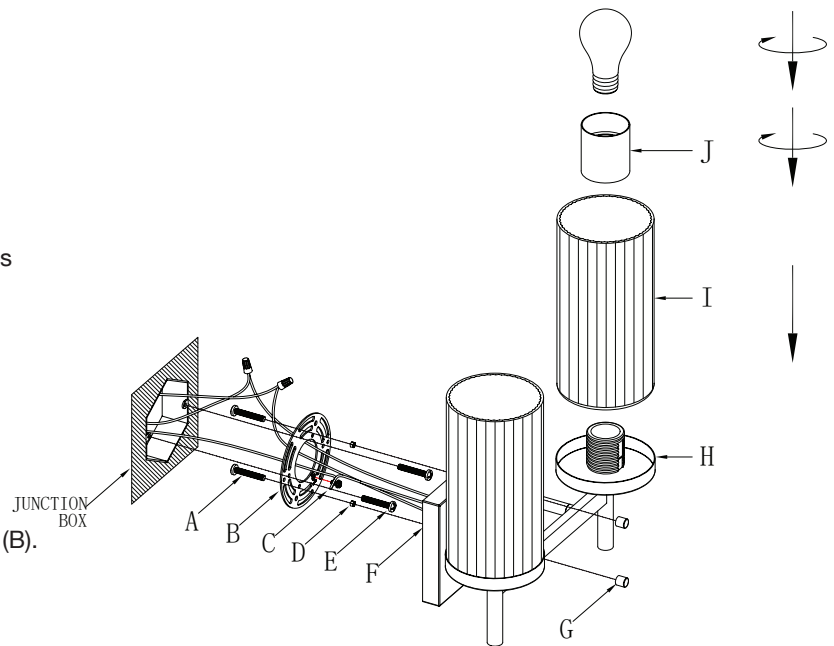
PREPARING FOR INSTALLATION

Remove all of the contents from the carton. See the important notes above. Shut off the power at the circuit breaker and completely remove the old fixture from the wall, including the old mounting strap.

1. Mounting strap (B) contains several pairs of threaded holes and two sets of mounting screws (A & E). You may need to tighten hex nuts (D) that hold mounting screws (A) in place.

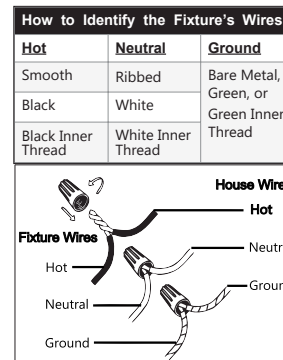
2. Place mounting strap (B) up to your junction box. Place backplate (F) over the mounting strap lining up mounting screws (A) with the holes in backplate (F). This will allow you to ensure that you are hanging the fixture straight. Put the backplate aside for now.

3. Pull the house wires through the center of mounting strap (B). Secure mounting strap (B) to the junction box with mounting screws (E) and a screwdriver. Tighten the screws securely.



CONNECTING THE WIRES

4. Attach the fixture's wires to the house wires from the junction box. Connect black to black (or smooth); white to white (or ribbed); ground to ground (green or copper). Twist the ends of the wire pairs together, then twist on a wire connector. Make sure all twists are in the same direction. If there is no ground wire (green or copper) from the junction box, locate ground screw (C) on mounting strap (B) and wrap the fixture's ground wire around the green ground screw (C). Use a screwdriver to secure ground screw (C) onto the mounting bracket. Tuck all wires neatly into the junction box.



FINISHING THE INSTALLATION

5. Place the fixture's backplate (F) over mounting strap (B) so that the mounting screws (A) protrude from backplate (F). Secure the backplate to the mounting strap by threading deco nuts (G) onto the exposed ends of the mounting screws (A). Twist until the backplate (F) is snug against the wall.

6. Slide glass shades (I) over sockets (H). Secure the glass shades in place with socket cap (J).

Install light bulbs (not provided) based on the fixture's specifications. Do not exceed the maximum wattage.

Your installation is complete. Turn on the power and test the fixture.

CLEANING TIPS

Treat the fixture gently! Regular cleaning will reduce the need for deep cleaning. For regular cleaning, turn off the light and wipe down the fixture with a clean lint-free cotton or microfiber cloth. Never spray cleaner directly onto the fixture.