

Assembly Instructions: 7808-FM (Lowell)

IMPORTANT:

- ALL INSTALLATION WORK SHOULD BE DONE BY ACCREDITED PROFESSIONAL.
- SHUT OFF POWER SUPPLY AT FUSE OR CIRCUIT BREAKER!
- USE ONLY THE SPECIFIED BULBS. DO NOT EXCEED THE MAXIMUM WATTAGE!

For Customer Service, please contact the place of purchase.

PREPARING FOR INSTALLATION

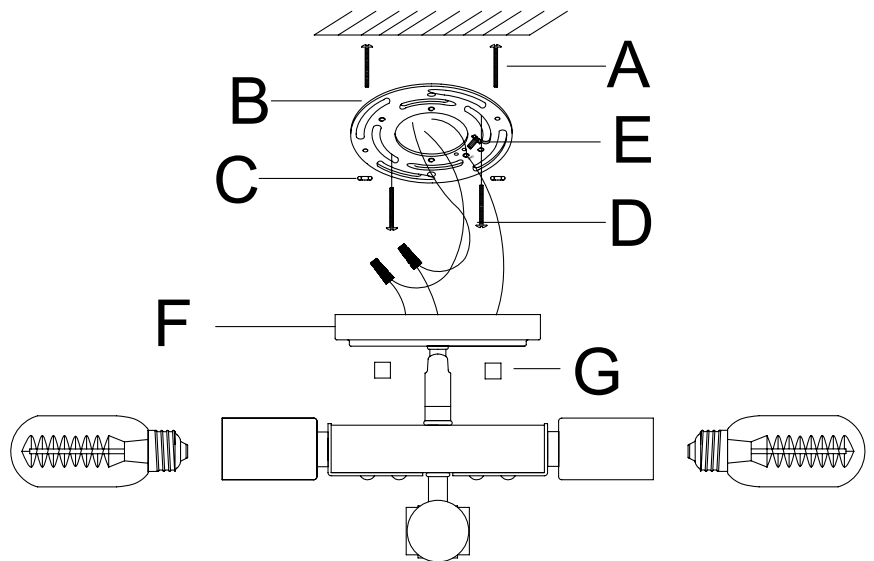
Remove all of the contents from the carton. See the important notes above. Shut off the power at the circuit breaker and completely remove the old fixture from the ceiling, including the old mounting strap.

1. Take the mounting strap assembly from the parts bag. Mounting strap (B) contains several threaded holes. Two mounting screws (A) should be attached to the mounting strap (B). You may need to tighten nuts (C) to hold these mounting screws in place. If the screws are not attached, hold canopy (F) up to the mounting strap (B) to line up the holes in the canopy (F) with the holes in the mounting strap and insert mounting screws (A) into the mounting strap so they protrude through the holes in the canopy (F). Remove the canopy (F) and secure mounting screws (A) with hex nuts (C).

2. Secure mounting strap (B) to the junction box using mounting screws (D) and a screwdriver. Tighten the screws securely.

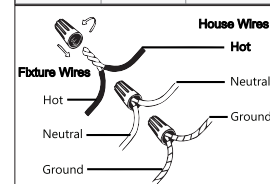
CONNECTING THE WIRES

3. Have an assistant support the fixture's weight while you complete the wiring. Pull house wires through the center of the mounting strap. Refer to the wiring diagram and attach the fixture's wires to the power supply wires from the junction box. Trim any excess wires adding at least 2 to 3 inches of wire to the desired length. Connect Hot to Hot (black or smooth), Neutral to Neutral (white or ribbed), and Ground to Ground (green or copper). Twist the ends of the wire pairs together, and then twist on a wire connector. Make sure all twists are in the same direction. If there is no house ground wire coming from the junction box, locate ground screw (E) on the mounting bracket/mounting strap and wrap the fixture's ground wire around the ground screw. Use a screwdriver to tighten the top of ground screw (E) onto the wires and into the mounting bracket. Tuck the wires into the junction box.



How to Identify the Fixture's Wires

Hot	Neutral	Ground
Smooth	Ribbed	Bare Metal, Green, or Green Inner Thread
Black	White	Black Inner Thread
Black Inner Thread	White Inner Thread	Thread



FINISHING THE INSTALLATION

4. Push canopy (F) up to the ceiling and thread nuts (G) onto the exposed threads of the mounting screws (A).

Install light bulbs (not provided) in accordance with the fixture's specifications. Do not exceed the maximum wattage.

Your installation is now complete. Turn on the power and test the fixture.

CLEANING TIPS

Treat the fixture gently! Regular cleaning will reduce the need for deep cleaning. For regular cleaning, turn off the light and wipe down the fixture with a clean lint-free cotton or microfiber cloth. Never spray cleaner directly onto the fixture.