

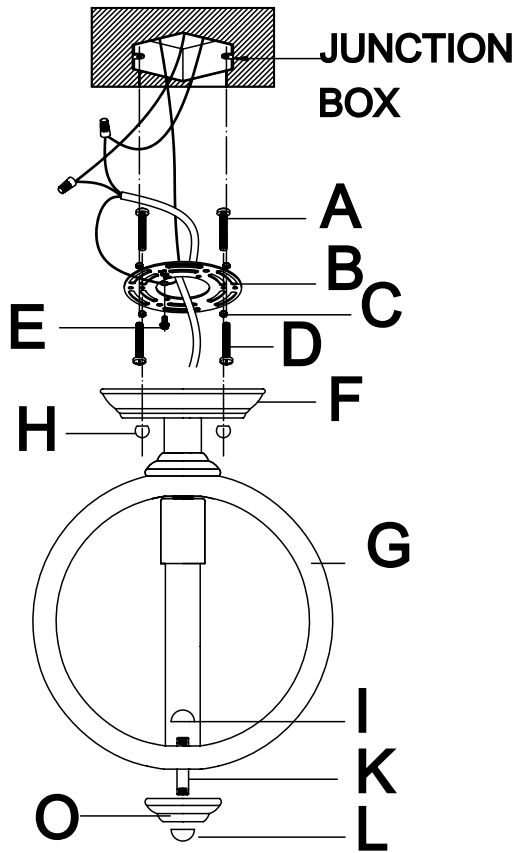
Assembly Instructions: 0876-SF

For Customer Service, please contact the place of purchase.

IMPORTANT:

- ALL INSTALLATION WORK SHOULD BE DONE BY ACCREDITED PROFESSIONAL.
- SHUT OFF POWER SUPPLY AT FUSE OR CIRCUIT BREAKER!
- USE ONLY THE SPECIFIED BULBS. DO NOT EXCEED THE MAXIMUM WATTAGE!

This fixture may be installed as a pendant or semi-flush. For semi-flush installation instructions, flip the page.



PREPARING FOR INSTALLATION

Remove all of the contents from the carton. See the important notes above. Shut off the power at the circuit breaker and completely remove the old fixture from the ceiling, including the old mounting strap.

1. From the parts bag remove the mounting strap assembly. Mounting screws (A) should be attached to mounting strap (B).
2. Match the threaded holes of mounting strap (B) to the spacing of the holes on the junction box.
3. Attach mounting strap (B) to the junction box using washers (C) and mounting screws (D). Tighten securely with a screwdriver. Mounting screws (A) should protrude through the holes in mounting strap (B).

CONNECTING THE WIRES

4. Have an assistant support the weight of the fixture while completing the wiring. Cut away excess wire. Attach the fixture's wires to the power supply wires from the junction box. Connect black to black (or smooth); white to white (or ribbed); ground to ground (green or copper). Please note: if the wires are clear, please look for writing on the outside of the wires or the color of the inner threads. Black writing or threads indicate the Hot wire. Twist the ends of the wire pairs together, and then twist on a wire connector. Make sure all twists are in the same direction. If there is no ground wire (green or copper) coming from the junction box, locate ground screw (E) on the mounting strap and wrap the fixture's ground wire around the green ground screw (E). Use a screwdriver to secure ground screw (E) onto the mounting strap. Tuck all wires neatly into the junction box.

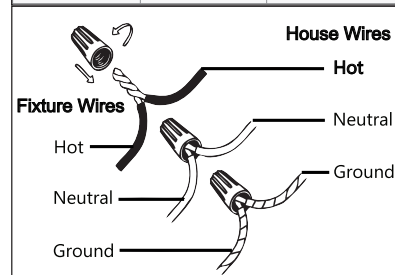
FINISHING THE INSTALLATION

5. Push canopy (F) up to the ceiling and tightly thread decorative nuts (H) onto the exposed threads of mounting screws (A).
6. Push the finial (L), thread cap (O), and locking nipple (K) through the hole in wooden frame (G). Use the cap (I) to lock the bottom finial in place.
7. Install a light bulb (not included) in accordance with the fixture's specifications. Do not exceed the maximum recommended wattage.

Your installation is now complete. Turn on the power and test the fixture.

How to Identify the Fixture's Wires

Hot	Neutral	Ground
Smooth	Ribbed	Bare Metal, Green, or Green Inner Thread
Black	White	
Black Inner Thread	White Inner Thread	



CLEANING TIPS

Treat the fixture gently! Regular cleaning will reduce the need for deep cleaning. For regular cleaning, turn off the light and wipe down the fixture with a clean lint-free cotton or microfiber cloth. Never spray cleaner directly onto the fixture.