

Assembly Instructions: 2635-4/4SF, 6/6SF (Amari)

IMPORTANT:

- ALL INSTALLATION WORK SHOULD BE DONE BY ACCREDITED PROFESSIONAL.
- SHUT OFF POWER SUPPLY AT FUSE OR CIRCUIT BREAKER!
- USE ONLY THE SPECIFIED BULBS. DO NOT EXCEED THE MAXIMUM WATTAGE!

For Customer Service, contact the place of purchase to arrange for replacement parts.

PREPARING FOR INSTALLATION

Remove all of the contents from the carton. See the important notes above. Shut off the power at the circuit breaker and completely remove the old fixture from the ceiling, including the old mounting strap.

1. Mounting strap (B) contains several pairs of threaded holes and two of mounting screws (D). You may need to tighten hex nuts (C) that hold the screws in place.
2. Place mounting strap (B) up to your junction box. To test proper placement, have an assistant support the fixture's weight and place canopy (F) over the mounting strap. Test whether mounting screws (A) line up with the holes in canopy (F). Place the fixture and canopy aside and secure mounting strap (B) to the junction box with mounting screws (D) and a screwdriver. Tighten the screws securely.
3. There are four steel cable wires (K) which run from the fixture's frame (P) up through holes in canopy (F). Measure to determine the correct length of steel cable wires (K) needed for proper hanging height. **The fixture can be hung close-to-ceiling. To shorten the fixture, depress button (H) and pull the excess cable wires (K) up through canopy (F).** To lengthen cable wires (K), press down on button (H) and pull down. Adjust the cables until the fixture is level. Adjust the length of the fixture's electrical wire (I) to match the hanging height by loosening set screw (J) and pulling the wire through canopy (F). When the desired height is reached, tighten set screw (J).

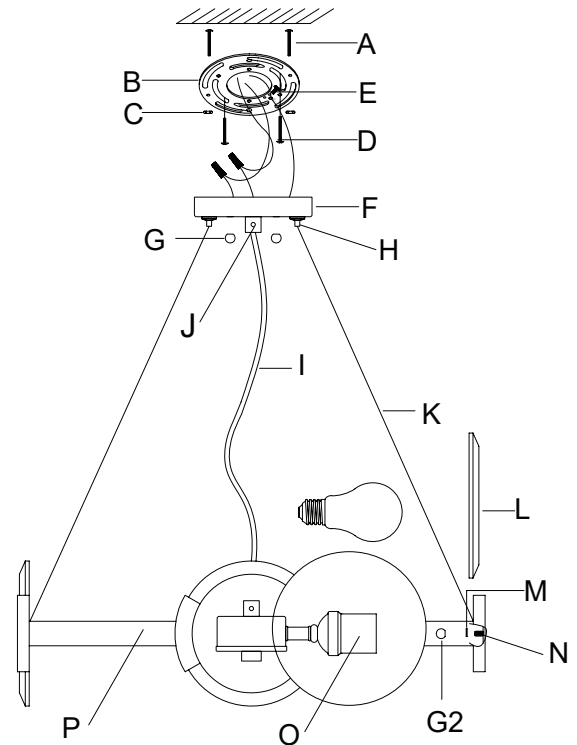
CONNECTING THE WIRES

4. Have an assistant support the fixture weight while completing the wiring. Cut away excess wire. Attach the fixture's wires to the power supply wires from the junction box. Connect black to black (or smooth); white to white (or ribbed); ground to ground (green or copper). Twist the ends of the wire pairs together, then twist on a wire connector. Make sure all twists are in the same direction. If there is no ground wire (green or copper) from the junction box, locate ground screw (E) on mounting strap (B) and wrap the fixture's ground wire around the green ground screw (E). Use a screwdriver to secure ground screw (E) onto the mounting bracket. Tuck all wires neatly into the junction box.

FINISHING THE INSTALLATION

5. Raise canopy (F) to the ceiling. Position the canopy so that mounting screws (A) protrude through the openings of canopy (F). Secure canopy (F) to mounting strap (B) with decorative nuts (G).
6. Carefully place glass diffusers (L) into the openings on frame (P). Slide spacers (M) onto screws (N) and lock the glass diffusers (L) into place using decorative nuts (G2).
7. Twist light bulbs (not provided) into sockets (O). Do not exceed the maximum recommended wattage.

Your installation is complete. Turn on the power and test the fixture.



How to Identify the Fixture's Wires				
Hot	Neutral	Ground		
Smooth	Ribbed	Bare Metal, Green, or Green Inner Thread	Fixture Wires: Hot, Neutral, Ground	
Black	White			House Wires: Hot, Neutral, Ground
Black Inner Thread	White Inner Thread			

CLEANING TIPS

Treat the fixture gently! Regular cleaning will reduce the need for deep cleaning. For regular cleaning, turn off the light and wipe down the fixture with a clean lint-free cotton or microfiber cloth. Never spray cleaner directly onto the fixture.