

Assembly Instructions: 9116-B14, B18, B24 (Juliette)

IMPORTANT:

- ALL INSTALLATION WORK SHOULD BE DONE BY ACCREDITED PROFESSIONAL.
- SHUT OFF POWER SUPPLY AT FUSE OR CIRCUIT BREAKER!
- USE ONLY THE SPECIFIED BULBS. DO NOT EXCEED THE MAXIMUM WATTAGE!

For Customer Service, please contact the place of purchase.

Do you have a house ground wire? If yes, proceed to step 1. If no, flip to the other side.

PREPARING FOR INSTALLATION

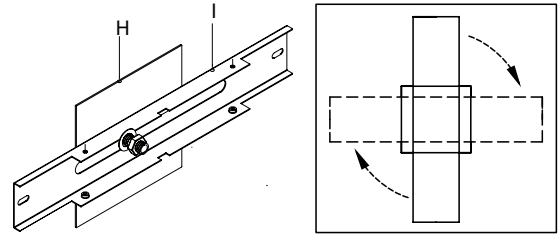
Remove all of the contents from the carton. See the important notes above. Remove the old fixture from the wall, including the old mounting strap.

Please Note: The LEDs are sensitive. Try to avoid touching LED board

1. The fixture may be mounted vertically or horizontally. Mounting bracket (I) may be positioned in various places along cover plate (H). Please decide how you would like to mount the fixture before proceeding. (See the diagram below) Before beginning, decide how you would like to install the fixture.

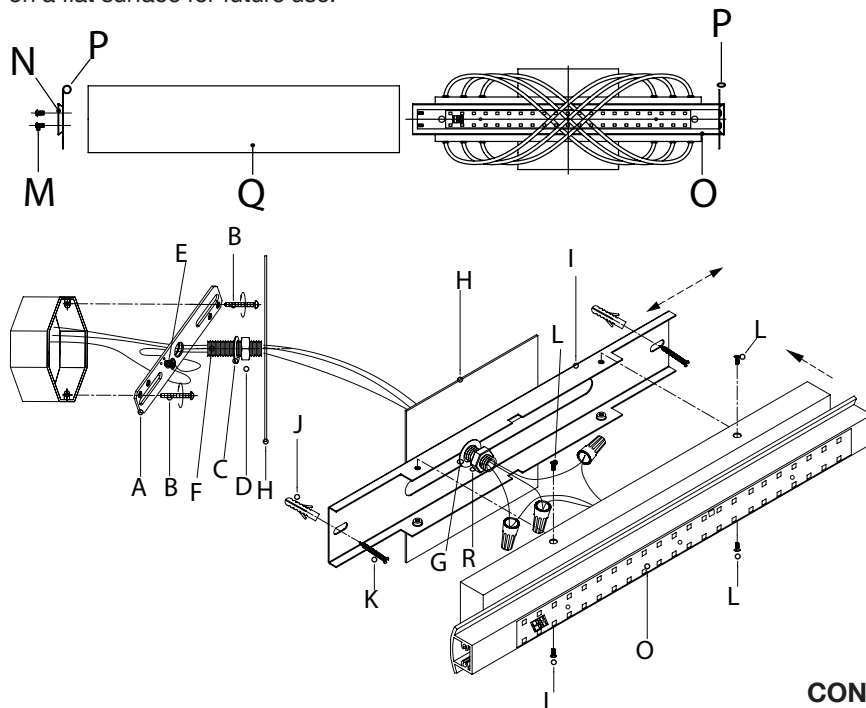
2. Carefully take LED module (O), one of finials (N), and glass shade (Q). Use screws (M) to attach one of finials (N) to LED module (O). Slide glass shade (Q) along the tracks at the top and bottom of LED module (O).

Note: The glass should sit in the channel, not behind the entire LED module. Use the 2 remaining screws (M) to attach the remaining finial (N) to the other side of the fixture. Carefully place the fixture on a flat surface for future use.



INSTALLING THE FIXTURE

3. Take the mounting strap assembly from the parts bag. Nipple (F) should be attached to mounting strap (A). You may need to tighten washer (C) and nut (D).
4. Pull the house wires (neutral and hot) through the center of nipple (F). Pull the house neutral wire to the front of mounting strap (A). Loop the house neutral over ground screw (E) and tighten with a screwdriver.
5. Secure mounting strap (A) to the junction box with mounting screws (B). Tighten the screws securely.
6. By now, you should know how you would like to position the fixture. Slide mounting bracket (I) over the nipple (F) and hold it up to the wall. Check that it is level. Once level, take a pencil and mark the wall to indicate where anchors (J) should be inserted.
7. Take mounting bracket (I) away from the wall. With a small drill bit, make small holes at the pencil marks. Insert anchors (J).
8. Slide cover plate (H) and mounting bracket (I) over the house wires and nipple (F).
9. Place mounting bracket (I) up to the wall so that you can see anchors (J). Lock mounting bracket (I) onto cover plate (H) by sliding washer (G) and hex nut (R) over the wires and threading onto nipple (F).
10. Anchor mounting bracket (I) to the wall by screwing mounting screws (K) into anchors (J) with a screwdriver or drill.



CONNECTING THE WIRES

11. Have your assistant support the fixture's weight while completing the wiring. Refer to the wiring diagram and attach the fixture's wires to the power supply wires from the junction box. Connect Hot to Hot and Neutral to Neutral. Twist the ends of the wire pairs together, and then twist on a wire connector. Make sure all twists are in the same direction. Tuck the wires into the cavity between the back of the LED panel and the mounting bracket.

How to Identify the Fixture's Wires

Hot	Neutral	Ground
Smooth	Ribbed	Bare Metal, Green, or Green Inner Thread
Black	White	
Black Inner Thread	White Inner Thread	

FINISHING THE INSTALLATION

12. Place LED module (O) over mounting bracket (I). Double check that the wires are tucked in before aligning the holes at the top and bottom. Use screws (L) at the top and bottom to secure the fixture to mounting bracket (I).

Your installation is now complete. Turn on the power and test the fixture.

CLEANING TIPS

Treat the fixture gently! Regular cleaning will reduce the need for deep cleaning. For regular cleaning, turn off the light and wipe down the fixture with a clean lint-free cotton or microfiber cloth. Never spray cleaner directly onto the fixture.

Assembly Instructions: 9116-B14, B18, B24 (Juliette)

IMPORTANT:

- ALL INSTALLATION WORK SHOULD BE DONE BY ACCREDITED PROFESSIONAL.
- SHUT OFF POWER SUPPLY AT FUSE OR CIRCUIT BREAKER!
- USE ONLY THE SPECIFIED BULBS. DO NOT EXCEED THE MAXIMUM WATTAGE!

For Customer Service, please contact the place of purchase.

Do you have a house ground wire? If no, proceed to step 1. If yes, flip to the other side.

PREPARING FOR INSTALLATION

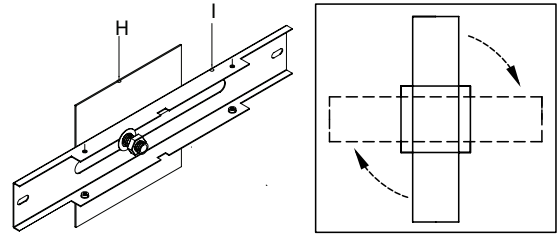
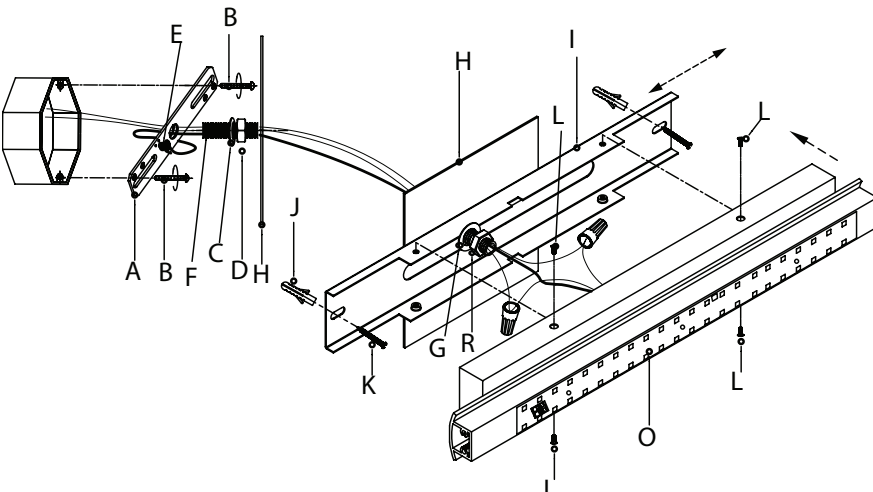
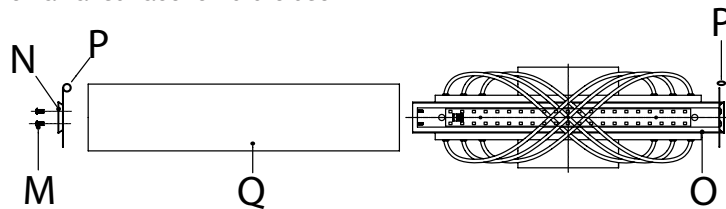
Remove all of the contents from the carton. See the important notes above. Remove the old fixture from the wall, including the old mounting strap.

Please Note: The LEDs are sensitive. Try to avoid touching LED board (O).

1. The fixture may be mounted vertically or horizontally. Mounting bracket (I) may be positioned in various places along cover plate (H). Please decide how you would like to mount the fixture before proceeding. Before beginning, decide how you would like to install the fixture.

2. Carefully take LED module (O), one of finials (N), and glass shade (Q). Use screws (M) to attach one of finials (N) to LED module (O). Slide glass shade (Q) along the tracks at the top and bottom of LED module (O).

Note: The glass should sit in the channel, not behind the entire LED module. Use the 2 remaining screws (M) to attach the remaining finial (N) to the other side of the fixture. Carefully place the fixture on a flat surface for future use.



INSTALLING THE FIXTURE

3. Take the mounting strap assembly from the parts bag. Nipple (F) should be attached to mounting strap (A). You may need to tighten washer (C) and nut (D). Pull the house wires through the center of nipple (F).

4. Secure mounting strap (A) to the junction box with mounting screws (B). Tighten the screws securely.

5. By now, you should know how you would like to position the fixture. Slide mounting bracket (I) over the nipple (F) and hold it up to the wall. Check that it is level. Once level, take a pencil and mark the wall to indicate where anchors (J) should be inserted.

6. Take mounting bracket (I) away from the wall. With a small drill bit, make small holes at the pencil marks. Insert anchors (J).

7. Slide cover plate (H) and mounting bracket (I) over the house wires and nipple (F). Have an assistant hold the fixture up. Slide hex nut (R) and then washer (G) onto the fixture's ground wire.

8. Pass the fixture's ground wire through the front of nipple (F). Pull the fixture's ground wire around to the front of the mounting strap to loop around ground screw (E). Use a screwdriver to tighten the ground screw (E) onto the wires and onto the mounting strap.

9. Place mounting bracket (I) up to the wall so that you can see anchors (J). Lock mounting bracket (I) onto cover plate (H) by sliding washer (G) and hex nut (R) over the wires and threading onto nipple (F).

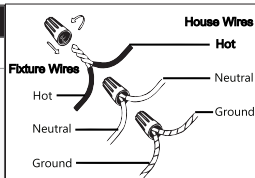
10. Anchor mounting bracket (I) to the wall by screwing mounting screws (K) into anchors (J) with a screwdriver or drill.

CONNECTING THE WIRES

11. Have your assistant support the fixture's weight while completing the wiring. Refer to the wiring diagram and attach the fixture's wires to the power supply wires from the junction box. Connect Hot to Hot and Neutral to Neutral. Twist the ends of the wire pairs together, and then twist on a wire connector. Make sure all twists are in the same direction. Tuck the wires into the cavity between the back of the LED panel and the mounting bracket.

How to Identify the Fixture's Wires

Hot	Neutral	Ground
Smooth	Ribbed	Bare Metal, Green, or Green Inner Thread
Black	White	
Black Inner Thread	White Inner Thread	



FINISHING THE INSTALLATION

12. Place LED module (O) over mounting bracket (I). Double check that the wires are tucked in before aligning the holes at the top and bottom. Use screws (L) at the top and bottom to secure the fixture to mounting bracket (I).

Your installation is now complete. Turn on the power and test the fixture.

CLEANING TIPS

Treat the fixture gently! Regular cleaning will reduce the need for deep cleaning. For regular cleaning, turn off the light and wipe down the fixture with a clean lint-free cotton or microfiber cloth. Never spray cleaner directly onto the fixture.