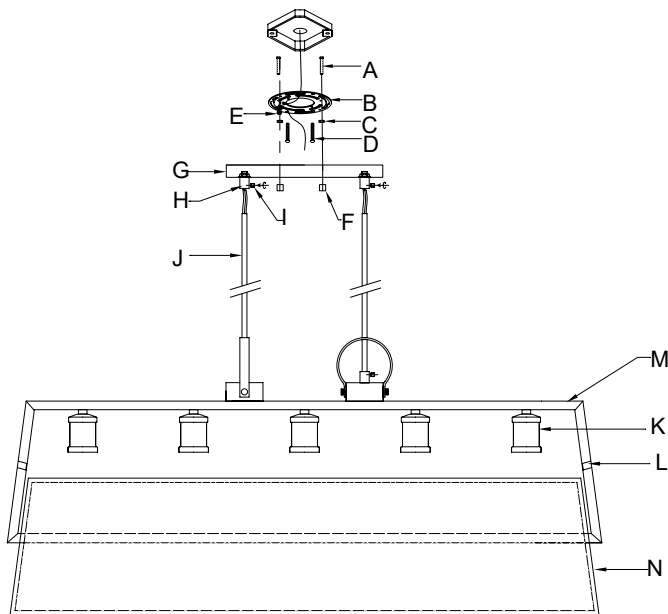


# Assembly Instructions: 3239-LP (Abbott)

## IMPORTANT:

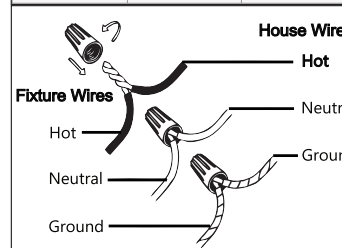
- ALL INSTALLATION WORK SHOULD BE DONE BY ACCREDITED PROFESSIONAL.
- SHUT OFF POWER SUPPLY AT FUSE OR CIRCUIT BREAKER!
- USE ONLY THE SPECIFIED BULBS. DO NOT EXCEED THE MAXIMUM WATTAGE!

For Customer Service, please contact the place of purchase.



## How to Identify the Fixture's Wires

Hot	Neutral	Ground
Smooth	Ribbed	Bare Metal, Green, or Green Inner Thread
Black	White	
Black Inner Thread	White Inner Thread	



## PREPARING FOR INSTALLATION

Remove all of the contents from the carton. See the important notes above. Shut off the power at the circuit breaker and completely remove the old fixture from the ceiling, including the old mounting strap.

1. Take the mounting strap assembly from the parts bag. Mounting strap (B) contains several threaded holes. Two of mounting screws (A) should be attached to mounting strap (B). You may need to tighten nuts (C) that hold these screws in place. If the screws are not attached, please hold canopy (G) up to mounting strap (B). Line up the holes in canopy (G) with the holes in mounting strap (B) and insert mounting screws (A) into mounting strap (B) so that mounting screws (A) protrude through the holes in canopy (G). Mounting screws (A) are long, please test the canopy against the mounting strap to see how far you should insert the screws. Tighten nuts (C) onto mounting screws (A) to hold the screws in place.

2. Pull the house wires through the center of mounting strap (B). Place mounting strap (B) over the junction box so that mounting screws (A) are vertical, and in alignment with the hole locations on the fixture's canopy (G). Secure mounting strap (B) to the junction box with mounting screws (D) and a screwdriver. Tighten the screws securely.

## ASSEMBLING THE FIXTURE

3. The fixture's height is adjustable by cable wire. Before installation, determine the desired overall height of the fixture and mark cable wires (J). Put cable wires (J) through swivels (H). Cut away or wrap any extra length of cable wires (J). Tighten cable wires (J) with thumb screws (I) on swivels (H).

## CONNECTING THE WIRES

4. Have an assistant support the fixture's weight while completing the wiring. Refer to the wiring diagram and attach the fixture's wires to the power supply wires from the junction box. Connect Hot to Hot, Neutral to Neutral, and Ground to Ground. Twist the ends of the wire pairs together, and then twist on a wire connector. Make sure all twists are in the same direction. If there is no house ground wire coming from the junction box, locate ground screw (E) on the mounting bracket/mounting strap and wrap the fixture's ground wire around the ground screw. Use a screwdriver to tighten the top of ground screw (E) onto the wires and into the mounting bracket/mounting strap. Tuck the wires into the junction box.

## FINISHING THE INSTALLATION

5. Place the fixture's canopy (G) over mounting screws (A) so that they protrude through the holes in canopy (G). Thread deco nuts (F) onto mounting screws (A).

6. Install light bulbs (not included) in accordance with the fixture's specifications. Do not exceed the maximum recommended wattage.

7. Slide mesh panels (N) (Note: By design, each fixture contains and uses 2 panels) inside frame (M), and bend clips (L) on frame (M) to hold the mesh panels (N) in place.

Your installation is now complete. Turn on the power and test the fixture.

## CLEANING TIPS

Treat the fixture gently! Regular cleaning will reduce the need for deep cleaning. For regular cleaning, turn off the light and wipe down the fixture with a clean lint-free cotton or microfiber cloth. Never spray cleaner directly onto the fixture.

