



GOLDEN LIGHTING ASSEMBLY AND INSTALLATION INSTRUCTIONS

CAUTION

Read instructions carefully and turn electricity off at main fuse box before beginning installation

Installation (see Fig. A)

1. Disconnect power at main electrical panel before installation.
2. Thread the mounting screws into the opposite side of the mounting plate from the Green ground screw.
3. Guide fixture wires through hole in center of mounting plate.
4. Follow wiring instructions carefully (listed below).
5. Attach mounting plate to outlet box using box screws provided with outlet box.
6. Mount fixture by aligning mounting holes in Fixture backplate with mounting screws and threading ball nuts onto mounting screws. Tighten to firmly hold backplate in place against wall (mounting screws may require adjustment).

Wiring (see Fig. B)

1. Split the conductors of the fixture wire about 4 inches. Being careful not to expose any of the wire inside of the insulation.
2. Connect the fixture ground wire to the outlet box ground wire using wirenut (not provided). Connect outlet box ground wire to mounting plate with GREEN hex-head ground screw to tapped hole in mounting plate marked "GND".
3. Connect the half of the fixture wire that is white, marked or has a ribbed surface to the outlet box supply wire (white). Connect the other half of the fixture wire that is black, unmarked or has a smooth surface to the outlet box supply wire (BLACK or RED). Use wirenuts provided.
4. Spread the electrical splices so that the black wire are on one side of the outlet box and the white wire are on the other side.

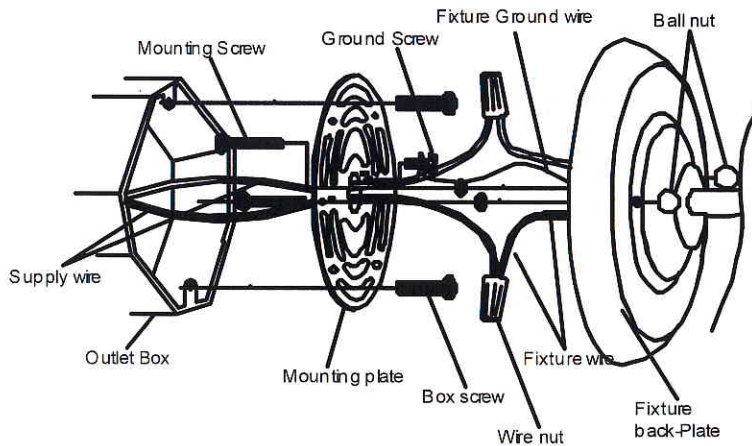


Fig. A

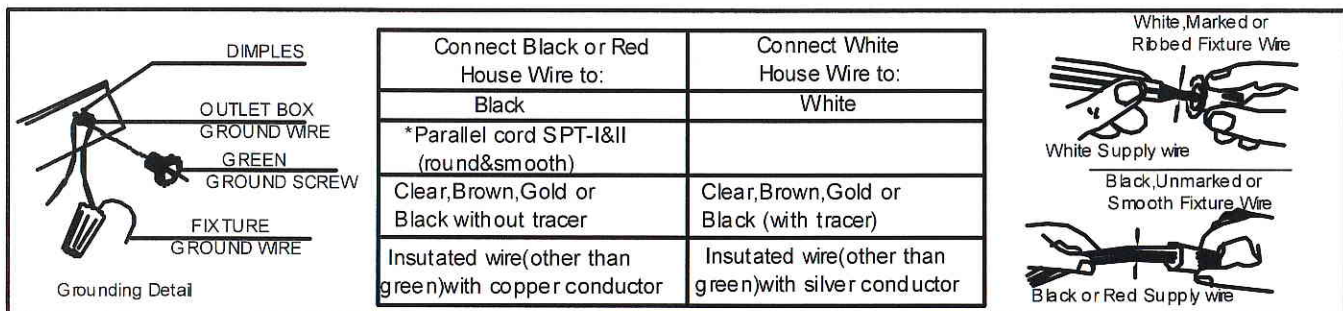


Fig. B