

Assembly Instructions: 3417-BA2/BA3 (Asha)

IMPORTANT:

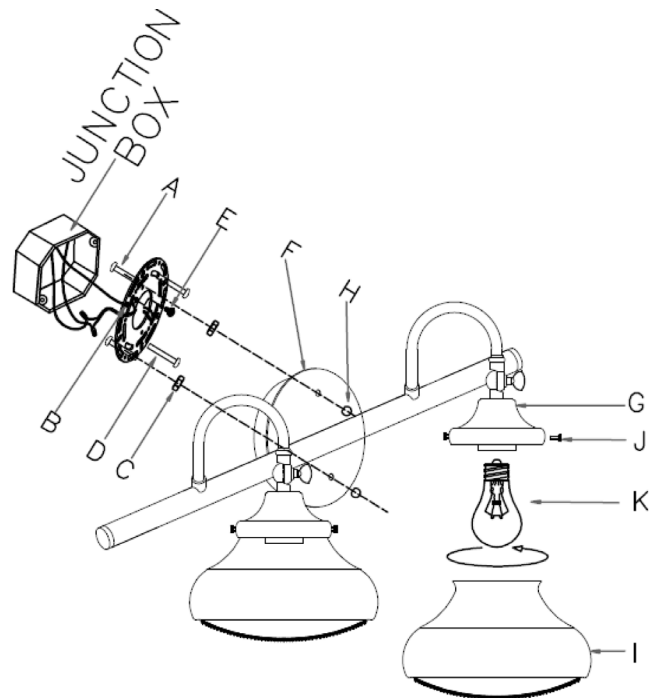
- ALL INSTALLATION WORK SHOULD BE DONE BY ACCREDITED PROFESSIONAL.
- SHUT OFF POWER SUPPLY AT FUSE OR CIRCUIT BREAKER!
- USE ONLY THE SPECIFIED BULBS. DO NOT EXCEED THE MAXIMUM WATTAGE!

For Customer Service, please contact the place of purchase.

PREPARING FOR INSTALLATION

Remove all of the contents from the carton. See the important notes above. Remove the old fixture from the wall, including the old mounting strap.

1. Take mounting strap (B) from the parts bag. Mounting strap (B) contains several pairs of threaded holes. Find the pair of holes that matches the spacing of the holes on the junction box and your fixture's backplate.
2. Pull the house wires through the center of mounting strap (B), and place mounting strap (B) over the junction box so that mounting screws (A) are horizontal, and in alignment with the hole locations on backplate (F). You may need to tighten nuts (C) that hold mounting screws (A) in place.
3. Secure mounting strap (B) to the junction box with mounting screws (D) and a screwdriver. Tighten the screws securely.



CONNECTING THE WIRES

4. Have an assistant support the fixture's weight while completing the wiring. Cut away the excess wires. Refer to the wiring diagram and attach the fixture's wires to the power supply wires from the junction box. Connect Hot to Hot, Neutral to Neutral, and Ground to Ground. Twist the ends of the wire pairs together, and then twist on a wire connector. Make sure all twists are in the same direction. If there is no house ground wire coming from the junction box, locate ground screw (E) on the mounting bracket/mounting strap and wrap the fixture's ground wire around the ground screw. Use a screwdriver to tighten the top of ground screw (E) onto the wires and into the mounting bracket/mounting strap. Tuck the wires into the junction box.

How to Identify the Fixture's Wires		
Hot	Neutral	Ground
Smooth	Ribbed	Bare Metal, Green, or Green Inner Thread
Black	White	Green Inner Thread
Black Inner Thread	White Inner Thread	Green Inner Thread

FINISHING THE INSTALLATION

5. Place fixture backplate (F) over mounting screws (A) and mounting strap (B).
6. Secure backplate (F) to mounting strap (B) by threading deco nuts (H) onto the exposed threads of mounting screws (A).
7. Install light bulbs (K - not provided) in accordance with the fixture's specifications. Do not exceed the maximum wattage.
8. Carefully push glass shades (I) up over the bulbs and sockets. Secure the shades in place by tightening screws (J) into top caps (J).
9. Your installation is now complete. Turn on the power and test the fixture.

CLEANING TIPS

Treat the fixture gently! Regular cleaning will reduce the need for deep cleaning. For regular cleaning, turn off the light and wipe down the fixture with a clean lint-free cotton or microfiber cloth. Never spray cleaner directly onto the fixture.