

Assembly Instructions: 1998-3P (Bijoux)

IMPORTANT:

- ALL INSTALLATION WORK SHOULD BE DONE BY ACCREDITED PROFESSIONAL.
- SHUT OFF POWER SUPPLY AT FUSE OR CIRCUIT BREAKER!
- USE ONLY THE SPECIFIED BULBS. DO NOT EXCEED THE MAXIMUM WATTAGE!

For Customer Service, contact the place of purchase.

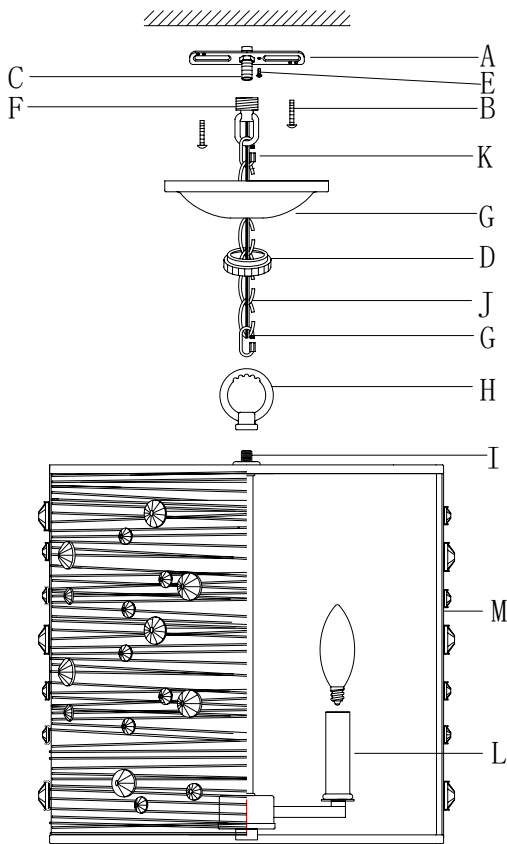
PREPARING FOR INSTALLATION

Remove all of the contents from the carton. See the important notes above. Remove the old fixture from the ceiling, including the old mounting strap.

1. Take the mounting strap assembly from the parts bag. One end of nipple (C) should be attached to mounting strap (A) with a washer and hex nut in place. The other end should have canopy loop (F) attached.

2. Use a screwdriver and mounting screws (B) to attach mounting strap (A) to the junction box. (Note: When mounting strap (A) is properly installed, about half of the exterior threads of nipple (F) are exposed, allowing canopy loop (F) to fit snugly onto nipple (C). You may want to test to ensure that with canopy (G) in place, canopy loop (F) fits onto nipple (F). After testing, remove everything from the nipple and place aside for later.) until the desired height is reached.

3. Place the fixture's body (M) onto a flat surface. Thread top loop (H) onto post (I). By measuring, determine the correct number of chain links (J) needed for proper hanging height. If necessary, use a pair of pliers to open and remove any excess chain. Attach one of chain connectors (K) to each end of chain (J). Use one of chain connectors (K) to attach chain (J) to top loop (L) and close the chain connector. Feed the fixture's wires up through the chain (every three links or so), pulling the wires until taut. Slide canopy loop collar (D) and canopy (G) onto the chain and wires. Use the free chain connector (K) to attach chain (J) to canopy loop (F).



CONNECTING THE WIRES

4. Have an assistant support the fixture's weight while completing the wiring. Cut away the excess wires. Thread the fixture's wires through the canopy loop and nipple. Refer to the wiring diagram and attach the fixture's wires to the power supply wires from the junction box. Connect Hot to Hot, Neutral to Neutral, and Ground to Ground. Twist the ends of the wire pairs together, and then twist on a wire connector. Make sure all twists are in the same direction. If there is no house ground wire coming from the junction box, locate ground screw (E) on the mounting bracket/mounting strap and wrap the fixture's ground wire around the ground screw. Use a screwdriver to tighten the top of ground screw (E) onto the wires and into the mounting bracket/mounting strap. Tuck the wires into the junction box.

FINISHING THE INSTALLATION

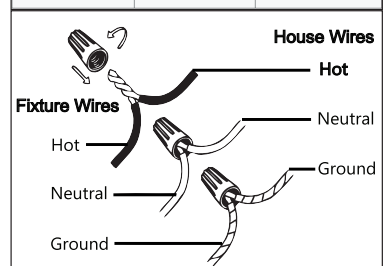
5. Push canopy (G) up to the ceiling and slide canopy loop collar (D) up beneath the canopy. Tightly thread canopy loop collar (D) onto canopy loop (F) to secure canopy (G) in place.

6. Slide candle sleeves (L) over the sockets. Install light bulbs in accordance with the fixture's specifications. Do not exceed the maximum wattage.

7. Your installation is now complete. Turn on the power and test the fixture.

How to Identify the Fixture's Wires

Hot	Neutral	Ground
Smooth	Ribbed	Bare Metal, Green, or Green Inner
Black	White	Green Inner Thread
Black Inner Thread	White Inner Thread	Thread



CLEANING TIPS

Treat the fixture gently! Regular cleaning will reduce the need for deep cleaning. For regular cleaning, turn off the light and wipe down the fixture with a clean lint-free cotton or microfiber cloth. Never spray cleaner directly onto the fixture.